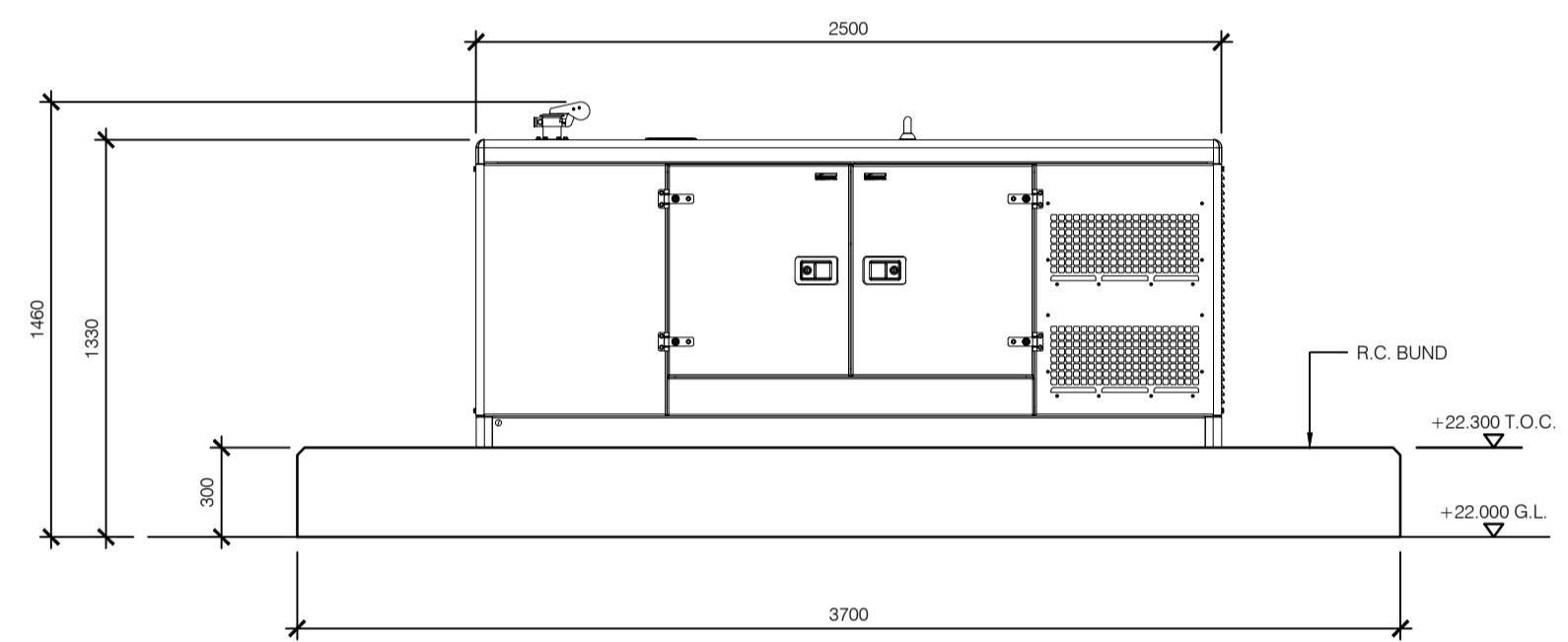
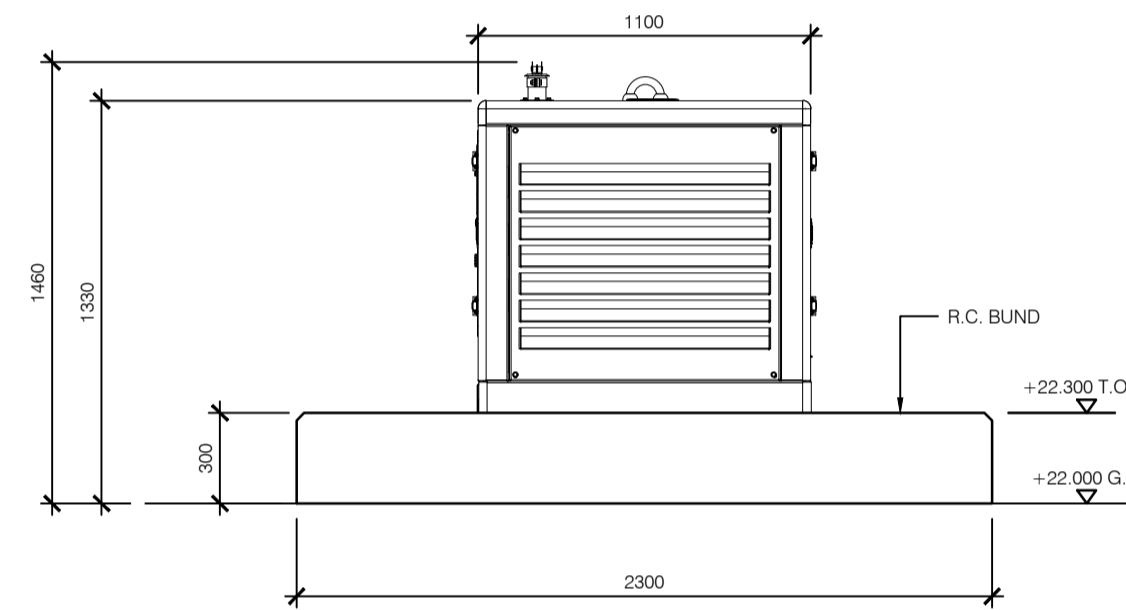


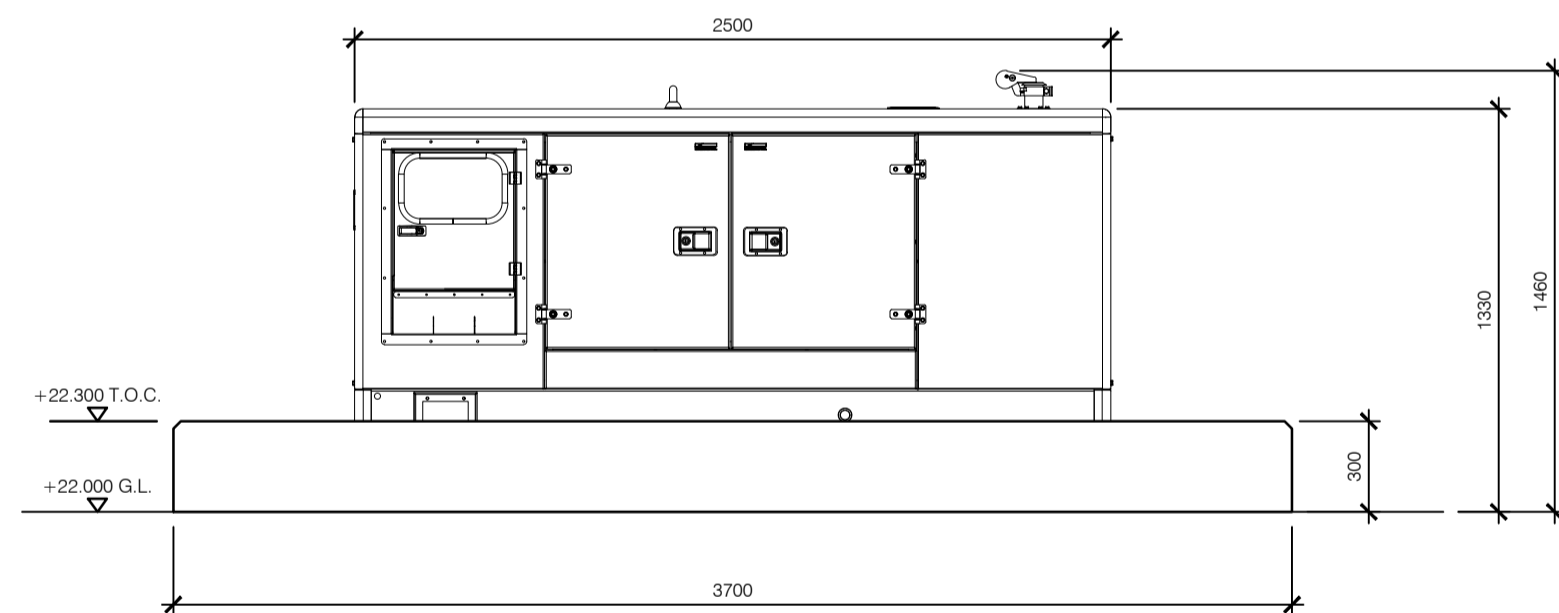
PLAN
SCALE 1:25



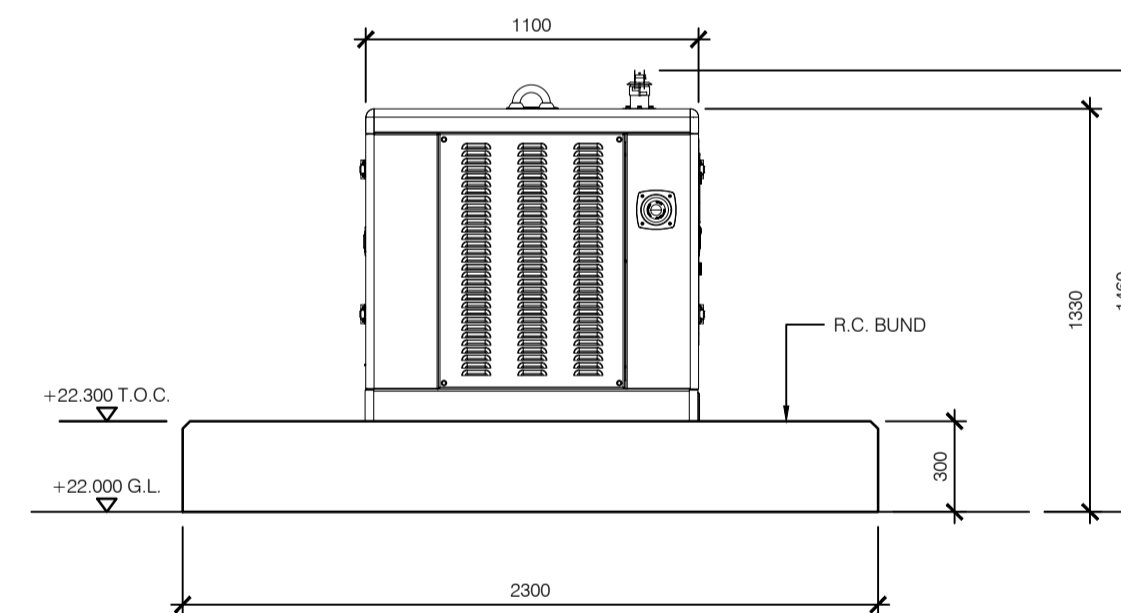
SOUTH ELEVATION
SCALE 1:25



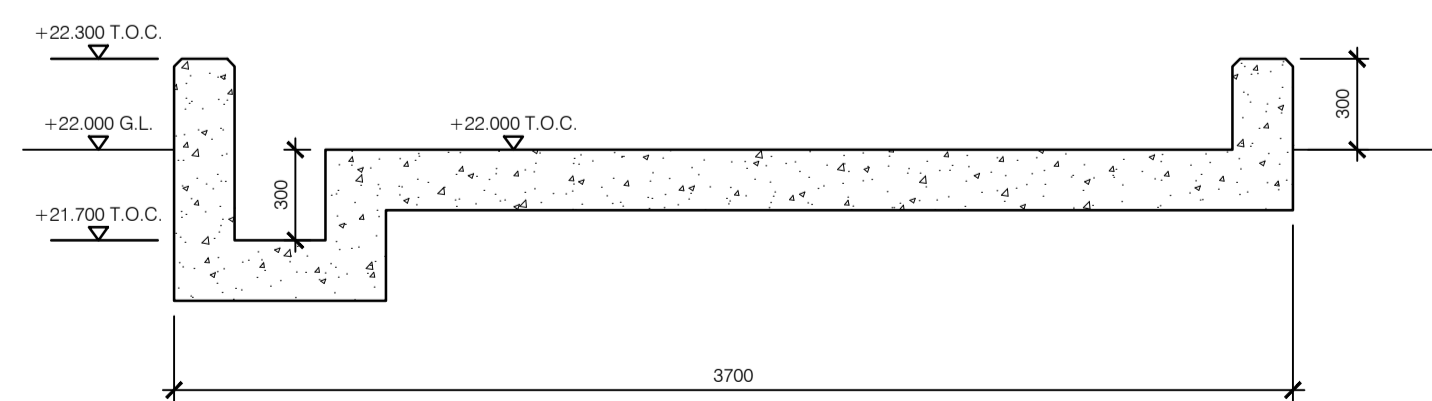
WEST ELEVATION
SCALE 1:25



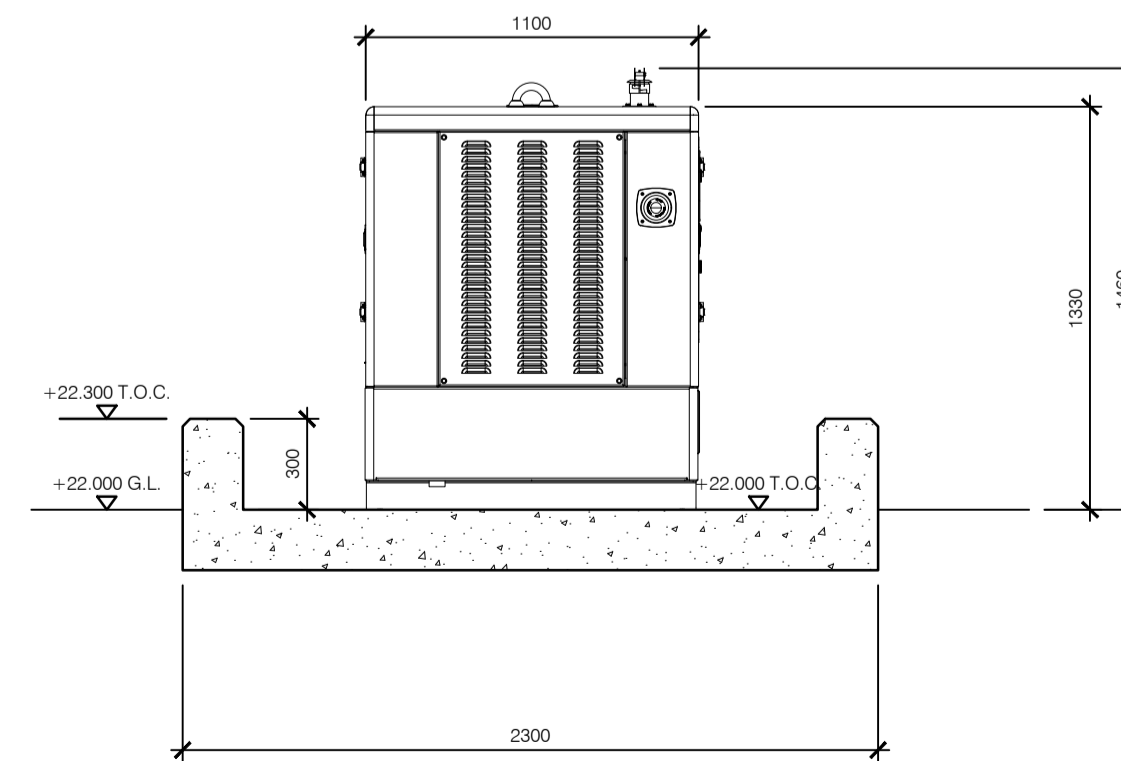
NORTH ELEVATION
SCALE 1:25



EAST ELEVATION
SCALE 1:25



SECTION A-A
SCALE 1:25



SECTION B-B
SCALE 1:25

NOTES:

1. ALL LEVELS REFER TO MALIN HEAD DATUM.
2. ALL DIMENSIONS ARE IN mm. NO DIMENSIONS SHALL BE SCALED FROM THE DRAWING.
3. THIS DRAWING IS PRODUCED FOR PLANNING PURPOSES ONLY. ALL DIMENSIONS AND REFERENCES GIVEN ARE FOR A GENERAL INSTALLATION AND SHOULD NOT BE USED AS PART OF DETAILED DESIGN. THIS DRAWING IS NOT FOR CONSTRUCTION.
4. THE DIESEL GENERATOR ARRANGEMENT IS TO SUIT MANUFACTURER'S SPECIFICATIONS AND IS TO BE EVALUATED AT THE DETAILED DESIGN STAGE.

ACRONYMS:

- G.L. = GROUND LEVEL
R.C. = REINFORCED CONCRETE
T.O.C. = TOP OF CONCRETE

REV	DATE	REVISION DESCRIPTION	DRN	PROD	VER	APP
2		PROJECT TITLE REVISED		SB		
1	21.08.23	PROJECT NAME & DRAWING TITLE REVISED	SB	SB	SD	JM/L
0	07.06.22	INITIAL VERSION	SB	RH	AH	RH

COPYRIGHT © ESB
ALL RIGHTS RESERVED. NO PART OF THIS WORK MAY BE MODIFIED, REPRODUCED OR COPIED IN ANY FORM OR BY ANY MEANS - GRAPHIC, ELECTRONIC OR MECHANICAL, INCLUDING PHOTOCOPYING, RECORDING, TAPING OR USED FOR ANY PURPOSE OTHER THAN ITS DESIGNATED PURPOSE, WITHOUT THE WRITTEN PERMISSION OF ESB.

PURPOSE OF ISSUE - PRELIMINARY UNLESS INDICATED
CLIENT APPROVAL PLANNING TENDER CONSTRUCTION AS-BUILT

CLIENT: Oriel Windfarm Limited

PROJECT: Oriel Wind Farm Project

CONTRACT:

DRAWING TITLE: ONSHORE SUBSTATION EXTERNAL DIESEL GENERATOR PLAN, ELEVATIONS & SECTIONS

PRODUCTION UNIT: Civil, Environmental and Renewable Engineering

Engineering and Major Projects,
One Dublin Airport Central, Dublin Airport,
Cloghran, Co. Dublin, K67 XF72, Ireland.
Tel: +353 (0)1 703 8000 Web: www.esb.ie
Engineering and Major Projects is a division of ESB.

DRAWN	PRODUCED	VERIFIED	APPROVED	APPROVAL DATE
S. Bolton	S. Bolton	S. Donnelly	J. McLoughlin	21/02/2024
CLIENT REF	NO. OF SHTS	SIZE	SCALE	
TC223815	1	A1	1:25	

DRAWING NUMBER	SHEET	REV
PE605-D027-038-035-002		